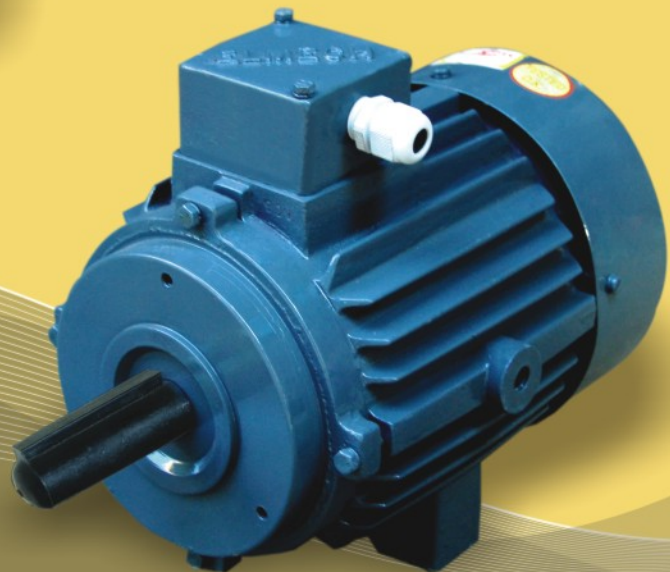
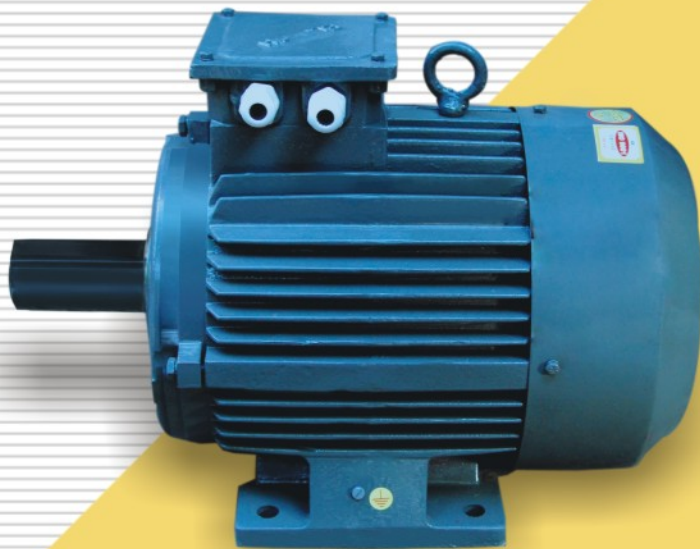


IS : 12615
CM/L : 7200109294



AN ISO : 9001 COMPANY

ELMECH INDUSTRIES



Innovative Motor Solutions...

TEFC Three Phase Squirrel Cage Induction Motors

Electrical & Mechanical Features

Range :

Standard 3 phase induction motors with rating of 0.12 KW to 15 KW are available from frame sizes 63 to 160 with standard speed and various construction.

Standards :

Performance confirms to IS 325 and dimensions according to IS : 1231 and IS : 2223

Ratings :

Motors are rated for continuous duty type S1 at ambient/temp. of 40°C and site altitudes of up to 1000 m above mean sea level.

Voltage and frequency :

Motors are designed for a rated voltage of 415V ±6%, 3 phase, 50 Hz ±3% supply. Motors with special designs of voltage / frequency can be offered on request.

Paint :

Standard synthetic enamel paint is provided which is suitable for tropical conditions. However, special paint can be provided on request.

Construction :

Standard motors with single shaft extension are for horizontal foot mounting (B3 as per IS : 1231) and vertical flange/face mounting (B5 & B14 as per IS : 2223). Other types of construction as shown below can be offered on request.

Insulation system :

All standard motors are provided with class 'F' insulation system. Motors with any other class of insulation can be offered on request.

Degree of protection :

Motors have IP44 degree of protection as a standard feature conforming to IS:4691. Motors can be supplied with protection IP54 as well as IP55 on special request.

Cooling & ventilation :

Type of cooling is as per IS 6362. All motors have an external bi-direction centrifugal fan.

Terminal box :

All motors are provided with terminal box on the top of the housing.

Noise :

Motors are designed for low noise level in accordance with IS 12065.

Bearing system :

All motors are equipped with prelubricated bearings. Regreasing facility can be provided on request.

Earthing terminals :

One earthing terminal is provided in all the motors on stator housing. Terminal can be provided in T-Box on request.

SPECIAL FEATURES AVAILABLE ON REQUEST

Mechanical features :

Special mountings, shaft extensions, keyway, paint, nameplate designs.

Electrical features :

Supply voltage option (160 V to 600 V) multiple voltage, variation in supply frequency (60 Hz), polarity option (8, 10, 12 poles) special protection (PTC thermistor) and insulation (class H or other)

We can also develop motor as per customer design & specification.

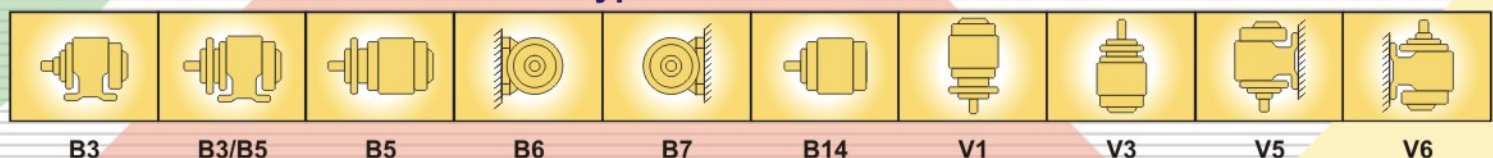
Range of ELMECH Motor Products

Special motors :

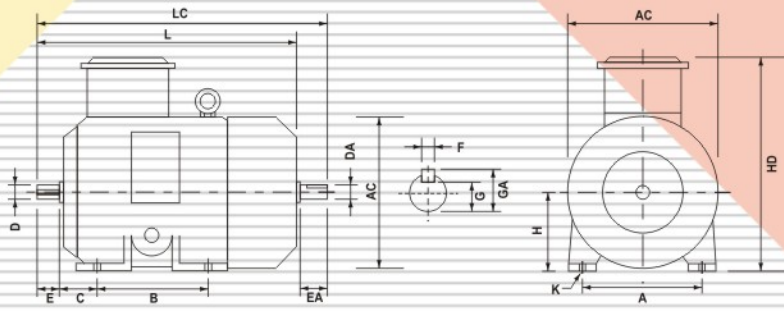
PRODUCT	RANGE	APPLICATION
Standard squirrel cage motors	0.12 KW to 15 KW up to 160 frame	Standard industrial application Customized application
Brake motors, crane duty motors	0.12 KW to 7.5 KW up to 132 frame	Hoist and crane installations and other machine tools
Torque motors	Up to 2.2 KW	Machine tools, wire winding machines, steel rolling industry
Cooling tower motors	0.12 KW to 7.5 KW up to 160 frame	Chilling plants, A/C plants
Textile motors	0.12 KW to 15 KW up to 160 frame	Carding, loom and ring frame machines in yarn and textile industries
Dual speed motors (two speed)	Up to 160 frame	Customized application

Like Crane duty motor
Brake motor
Torque motor
Cooling tower motor
Looms motor
Vibrator motor
Geared motor
Can be offered on request

Type of construction



Horizontal Foot Mounted Motors (B3 Construction)



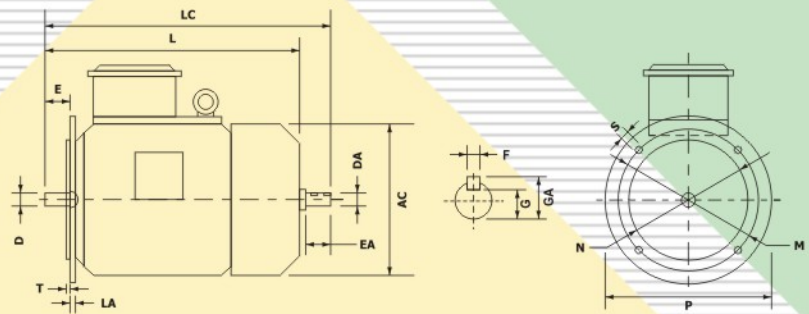
Frame	63	71	80	90S	90L	100L	112M	132S	132M	160M	160L
A	100	112	125	140	140	160	190	216	216	254	254
B	80	90	100	100	125	140	140	140	178	210	254
C	40	45	50	56	56	63	70	89	89	108	108
H	63	71	80	90	90	100	112	132	132	160	160
K	7	7	10	10	10	12	12	12	12	15	15
L	210	245	280	324	324	374	395	470	508	581	625
AC	127	142	161	180	180	208	225	264	264	330	330
HD	175	190	210	230	230	260	290	335	335	390	390
D/DA	11	14	19	24	24	28	28	38	38	42	42
E/EA	23	30	40	50	50	60	60	80	80	110	110
F	4	5	6	8	8	8	8	10	10	12	12
G	8.5	11	15.5	20	20	24	24	33	33	37	37
GA	12.5	16	21.5	27	27	31	31	41	41	45	45
LC	236	278	325	378	378	439	458	560	598	695	740

All Dimensions are in mm.

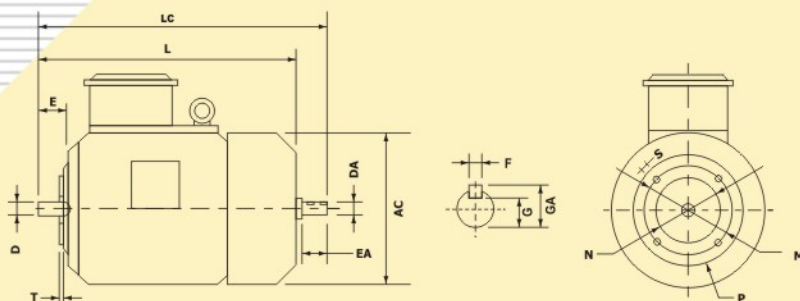
Frame	63	71	80	90S	90L	100L	112M	132S	132M	160M	160L
M	115	130	165	165	165	215	215	265	265	300	300
N	95	110	130	130	130	180	180	230	230	250	250
P	140	160	200	200	200	250	250	300	300	350	350
S	10	10	12	12	12	15	15	15	15	19	19
T	3	3.5	3.5	3.5	3.5	4	4	4	4	5	5
L	210	245	280	324	324	374	395	470	508	581	625
LA	9	9	10	10	10	11	11	12	12	20	20
AC	127	142	161	180	180	208	225	264	264	330	330
D/DA	11	14	19	24	24	28	28	38	38	42	42
E/EA	23	30	40	50	50	60	60	80	80	110	110
F	4	5	6	8	8	8	8	10	10	12	12
G	8.5	11	15.5	20	20	24	24	33	33	37	37
GA	12.5	16	21.5	27	27	31	31	41	41	45	45
LC	236	278	325	378	378	439	458	560	598	695	740

All Dimensions are in mm.

Flange Mounted Motors (B5 Construction)



Face Mounted Motors (B14 Construction)



Frame	63	71	80	90S	90L	100L	112M	132S	132M
M	75	85	100	115	115	130	130	165	165
N	60	70	80	95	95	110	110	130	130
P	90	105	120	140	140	160	160	200	200
S	M5	M6	M6	M8	M8	M8	M8	M12	M12
T	2.5	2.5	3	3	3	3.5	3.5	3.5	3.5
L	210	245	280	324	324	374	395	470	508
AC	127	142	161	180	180	208	225	264	264
D/DA	11	14	19	24	24	28	28	38	38
E/EA	23	30	40	50	50	60	60	80	80
F	4	5	6	8	8	8	8	10	10
G	8.5	11	15.5	20	20	24	24	33	33
GA	12.5	16	21.5	27	27	31	31	41	41

All Dimensions are in mm.

Innovative Motor Solutions...



Brake Motor



Crane Duty Motor



Flange Type Motor



AC Brake



Textile Motor



Cooling Tower Motor



Vibrator Motor



Geared Motor



Torque Motor



Looms Motor



Aluminium Body Motor



Standard Motor

AN ISO : 9001 COMPANY

ELMECH
INDUSTRIES

25, Raghukul Estate,
Opp. Adarsh Estate - 2,
Gurudwara Cross Road, Odhav,
Ahmedabad 382415 - Gujarat (INDIA)

Mo. : 9925015929, 9825466450

Email : elmechmotor@yahoo.co.in

Website : www.elmechindustries.in